

Taylor Metal Panel Finisher Indicator: Marion "R" Panel™

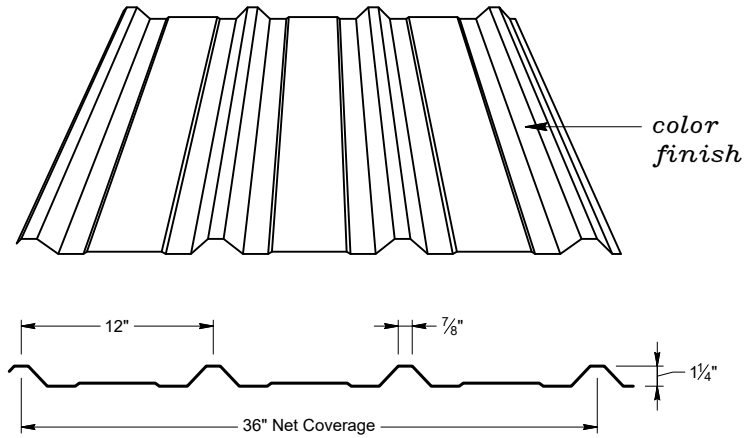
CUSTOMER NOTICE: This form must be completed, signed and returned to your Taylor Metal Customer Service Representative before your order will be produced.

Customer Name	
Today's Date	
Project Name	
WO #	

Marion "R" Panel™
 I am using this panel as a
 (Indicate)

Wall Roof

Sign Here:



Reversed Marion "R" Panel™

This profile is for
 WALLS ONLY

Sign Here:

