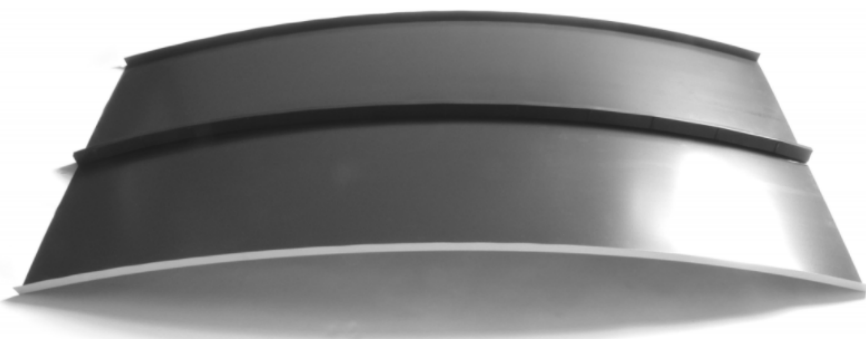


T-Panel™ Installation Guide



Panel Coverage

Narrow Batten:

- 20" coil - 18 3/8" (S) or 18 3/4" (R)
- 16" coil - 14 3/8" (S) or 14 3/4" (R)

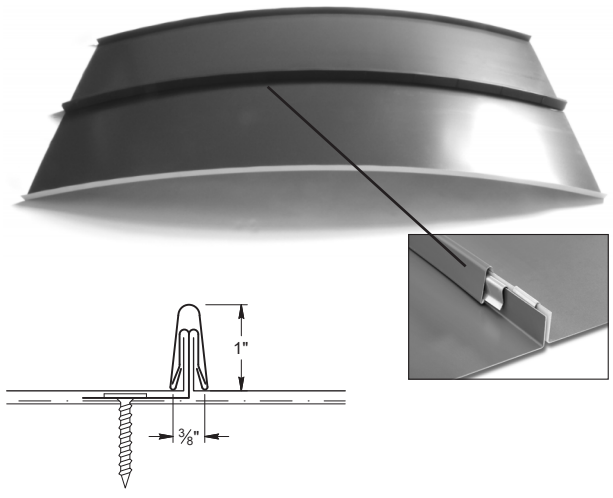
Wide Batten (13/16 panel Leg)

- 20" coil - 19 13/16" (S)
- 16" coil - 15 9/16" (S)

FOR OTHER WIDTH,
PLEASE INQUIRE

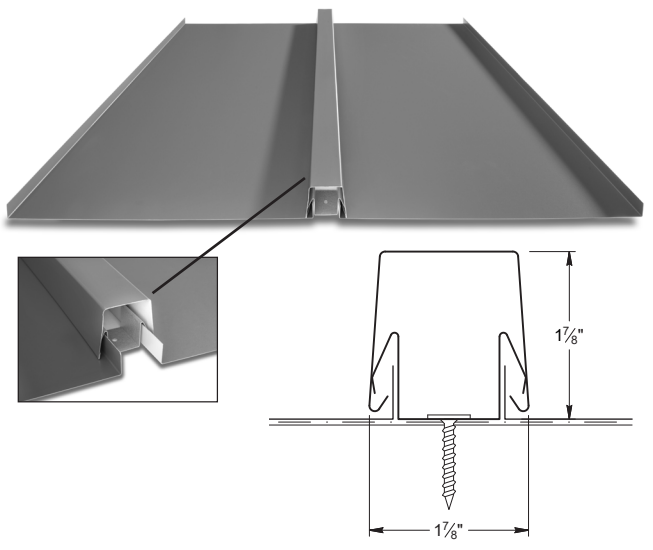
Panel Specifications	2-3
Introduction	4
Taylor Delivery Fleet	5
Delivery, Will Call & Loading	6
Notes to Designer & Installer.....	7-9
Tools	10
Roof Layout	11
Panel Installation Narrow Batten.....	12
Panel Installation Wide Batten	13
Flashing Details	14-24
Standard Eave - Narrow Batten	14
Standard Eave - Wide Batten	15
Hook Eave - Narrow Batten	16
Hook Eave - Wide Batten	17
Valley Flashing	18
Radius Gable Trim	19-21
Standard Gable Trim	22
Radius Sidewall	23
Standard Sidewall	24
Flashing Profiles	25-26
Order Form	27
Custom Trim Order Form	28-29
Graph Page	30

Narrow Batten Clip System:



T-Panel™ Standing Seam with a Narrow Batten is perfect for radius roofing projects. This panel gives you the flexibility to design buildings with unique characteristics that only a radius panel can provide.

Wide Batten Clip System:



T-Panel™ with Wide Batten is ideal for creating a clean, wide pan appearance. This look adds dimension to any building type and accomplishes an eccentric architectural effect.

T-PANEL KEY FEATURES

- T-Panel™: 24 & 22 gauge Tru-Gauge™, .032 Aluminum, 16 & 20 oz. copper
- Vertical interlocking applications: allows installation from both directions starting at any location
- Tapered panels available

- Standard panel lengths 2' to 60'
- 3:12 minimum pitch recommended
- Concealed fasteners: fasteners cannot leak
- Panel options: Striations, Accent Ribs, and Flat Pan

NARROW BATTEN KEY FEATURES

- T-Panel™ standard width: 18 3/8" (S) or 18 3/4" (R) & 14 3/8" (S) or 14 3/4" (R)
(Please inquire for other coverage options)
- Narrow Batten: fabricated in 24 gauge steel, .032" aluminum and 16 & 20 oz. copper
- Narrow Batten: 1" vertical rib
- Factory and field radius of roof panels and Narrow Battens down to 4' radius
- Full length Narrow Battens are roll formed
- Narrow Batten incorporates nicely with Easy-Lock™ standing seam panel
- UL 790 Class A Fire rated & UL 2218 Class 4 Impact (hail) rated, UL580 Class 90 Wind Uplift rated for use with Narrow Batten
- UL Construction No. 344, 397 & 397A for use with Narrow Batten

WIDE BATTEN KEY FEATURES

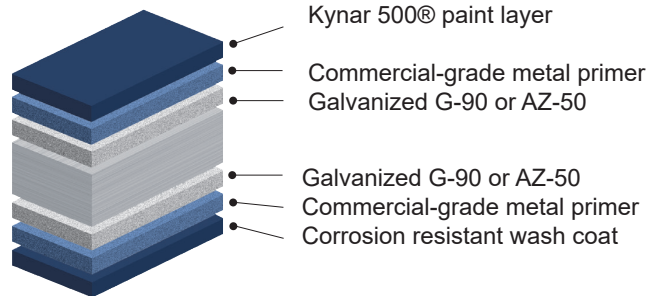
- T-Panel™ standard width: 19 13/16" (S) & 15 9/16" (S)
(Please inquire for other coverage options)
- Wide Batten: fabricated in 24 gauge steel, .032" aluminum and 16 & 20 oz. copper
- Wide Batten: 1-7/8" vertical rib
- Curving not available on Wide Batten profile
- Full length Wide Battens are roll formed
- Wide Batten incorporates nicely over Versa-Span™ standing seam panel *(separate clip required)*
- UL 790 Class A Fire rated & UL 2218 Class 4 Impact (hail) rated, UL580 Class 90 Wind Uplift rated for use with Wide Batten
- UL Construction No. 344, 397 & 397A for use with Wide Batten

MATERIAL SPECIFICATIONS

- 24 gauge Kynar 500® Painted Steel .0236" (Thickness prior to painting) G-90 Galvanized or AZ-50
- 22 & 24 gauge bare Zincolume® Plus AZ-55 (No finish warranty – 25 yr. perforation warranty)
- 22 gauge Kynar 500® Painted Steel .029" (Thickness prior to painting) G-90 Galvanized or AZ-50
- .032" Kynar 500® Painted Aluminum
- 16 and 20 ounce Copper (Please inquire)
- 22 gauge Rusteel™ Plus (A606)
- Kynar 500® and substrate testing data available (See website)

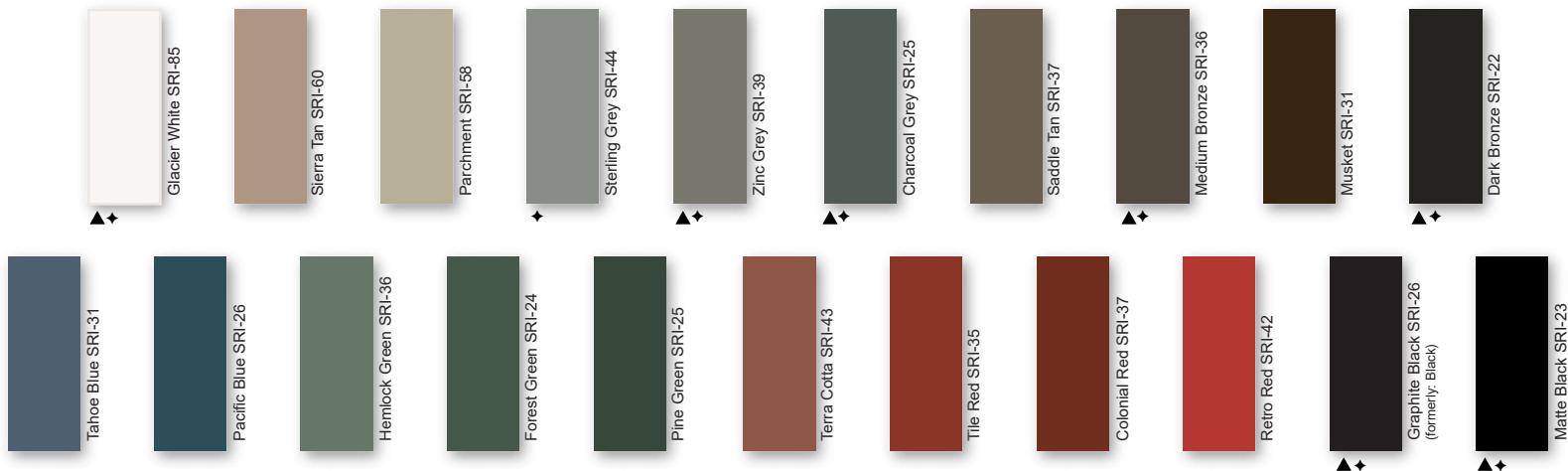
KEY FEATURES

- 21 Standard Colors, 5 Metallic Colors and 4 Specialized Materials
- Kynar 500® Paint System - the ultimate in exterior durability and color retention
- "Cool" color pigments are specially designed to reflect infrared light, reducing heat gain to dwelling, and conform with ENERGY STAR® criteria
- Superior Quality, two-coat, 70% resin finish, applied at a 1 mil. thickness
- 40-year residential paint warranty
- 20 and 30 year commercial paint warranty: Contact TMP for warranty specifications

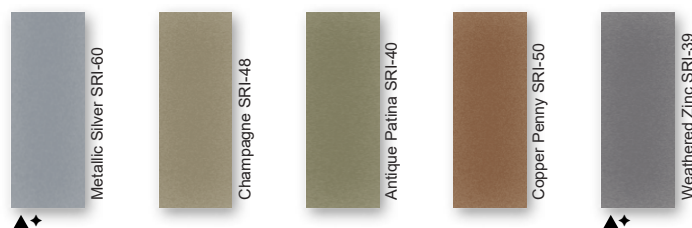


40-Year Residential/20 and 30 Year Commercial Manufacturer's Limited Warranty

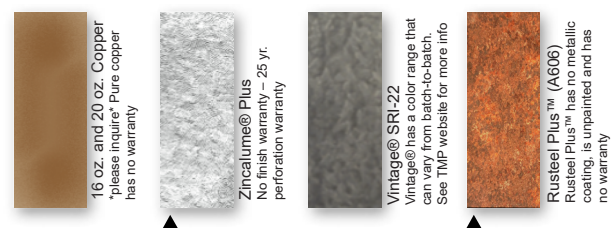
STANDARD COOL KYNAR 500® COLORS



PREMIUM METALLIC COOL KYNAR 500® COLORS



SPECIALIZED MATERIAL



These printed chips provide a close representation of the colors.

Metal samples are available upon request. Coatings are low gloss 10-15% sheen. SRI = Solar Reflective Index. SRI values listed above are in accordance with ASTM E1980 and are based on actual testing. ***Oil Canning is not a cause for material rejection***

Standard Panel with Narrow Batten				
Width	Panel	Color	Batten-2.5625"	LBS FT
15-1/8"	1.34	Kynar	0.21	1.55
19"	1.65	Kynar	0.21	1.86

Standard Panel with Wide Batten				
Width	Panel	Color	Batten-5.687"	LBS FT
16-5/6"	1.34	Kynar	0.46	1.80
20-3/16"	1.65	Kynar	0.46	2.11

▲ = 22 gauge ◆ = .032 aluminum



(Inquire for other panel sizes)

Taylor Metal Products, Curved T-Panels are designed for use on residential and commercial structures.

Whether it's an entryway, dormer or entire roof, Taylor Metal Products' T-Panel is designed to protect and beautify your roof area. The T-Panels are offered in any of our attractive, long-lasting 26, 24 or 22 gauge panels with top-of-the-line Kynar® 500 finishes. It is also available in 22 or 24 gauge Galvalume® Plus and natural 16 ounce Copper. Battens are 24 gauge.

Taylor Metal Products' Curved T-Panel™ is available in lengths from 2' to 50' and can be formed to fit a radius as tight as 4 ft.

These installation instructions are intended to offer suggested application procedures for common building construction. No attempt is made to provide installation details for every application or possible use.

Please contact Taylor Metal Products for use of custom flashing details as they pertain to specific conditions or to discuss a specific project.

Conformity to local building codes, details for specific applications, and use of safety and health procedures is the sole responsibility of the installer.

Taylor Metal Products assumes no liability for the improper installation of the Curved T-Panel™ nor for any personal injury or property damage that may occur with the product's use.

***Oil Canning** - All light gauge metals can display waviness often referred to as "oil canning." This is caused by steel mill tolerances, substrate variation and relative reflectivity. "Oil canning" is an inherent characteristic of steel products, not a defect, and is not a cause for material rejection.

Delivery Fleet

Taylor Metal Products prides itself with quick lead times delivered with our fleet of semi trucks. Our fleet of trucks are owned and operated by TMP. All of our drivers are Taylor Metal Products employees, so when your truck rolls in to deliver, you are dealing with Taylor Metal Products.

Expect consistent and exceptional service with short lead times. The inhouse fleet allows for efficient and cost-effective delivery.



Mounted on the rear of a carrier vehicle, the truck-mounted "piggy-back" forklift will accompany you right to your place of use, opening up unprecedented possibilities in terms of transportation. It can travel sideways, carrying panels up to 40' long, allowing delivery in locations that would typically be considered impossible to reach.

Save time and effort while avoiding potential loading and transport issues; have experienced TMP personnel deliver and unload your order.



Delivery

We will make every attempt to deliver material to the desired location. We may be unable to gain access on tight corners or steep terrain. If the site is deemed inaccessible by our driver, the customer may choose an alternate delivery site within a reasonable proximity. If we are unable to make the alternate delivery, additional charges may be assessed.

The customer is responsible for:

- Determining adequate access for delivery ahead of time.
- Meeting the delivery at the agreed upon time.
- Providing adequate resources (1-4 people as needed) for off loading materials.
- A charge of \$100 per hour may be added for deliveries that go beyond their allotted time
- Checking the shipment at the time of delivery.
- Verifying material quantities against the shipping/packing list.
- Noting any damage or discrepancies upon the paper work at the time of delivery and notify **Taylor Metal Products** within 48 hours of delivery.

Delivery times are usually scheduled one day in advance. **Taylor Metal Products** will make every effort to make the delivery at the scheduled time. Please be aware that there may be conditions beyond our control such as traffic, mechanical failures, road closures, etc. which may affect our schedule. If a delay is expected, you will be notified in advance of delivery.

Will Call & Loading

Flatbed trailers and trucks are best suited to transport metal roofing materials. These can be loaded from the side with a forklift and tied down in a safe and secure manner.

We are not able to load materials onto vehicles and/or trailers which are not suitable or may be hazardous to load. Please be aware that if we find a vehicle to be inappropriate, we reserve the right to refuse to load your order.

Unacceptable examples include: boat trailers, vans, buses, motor homes, campers and box trailers. Pickup racks which do not have sufficient supports for the weight or are not long enough to support bundles are also unacceptable.

Taylor Metal Products is not responsible to tie down loads nor do we provide any tie down materials. Please bring tie downs to secure your load (string or twine are **not** acceptable for this purpose).

Consider having your order delivered on one of our trucks with a piggy back forklift.



Taylor Metal Products is providing the following details as an aid in design. The details in this guide are not inclusive to all design situations. The designer/installer is responsible for modifications and should take into consideration all aspects of the project including climate conditions, such as, snow and wind, as well as, building code requirements, building design, building usage and maintenance requirements.

Installation should be performed only by qualified installers familiar with metal roofing systems and industry standards. For details not shown in this guide, refer to the Sheet Metal and Air Conditioning Contractors National Association (SMACNA) architectural sheet metal manual for proper design. For manufacturer's weather tightness warranties – all details must be preapproved by **Taylor Metal Products** technical representative.

The Standard gauge for all products in this guide is 24 gauge and the standard finish is Kynar 500®. We recommend specifying all flashings be the same gauge, color, and finish as the panels to insure long-term durability and color match.

Substrates

Details in the manual are all shown over solid substrate. **TMP T - Panel™** cannot be used over spaced purlins. For solid substrate, **Taylor Metal Products** recommends 15/32" (1/2" nominal) plywood or 22 ga. metal decking. Contact a **Taylor Metal Products** representative with questions about varying the substrates.

Underlayment

For roofs with pitches below 3:12, High Temp Ice and Water shield underlayment must be installed across the entire surface (projects with manufacturer's weathertightness warranties require the TMP private label product). For pitches steeper than (or equal to) 3:12, High Temp Ice and Water is necessary at all perimeter locations, eave, ridge, valley, hips, sidewall, endwall, prow and penetrations. The remaining of the roof's field areas can then be covered with approved synthetic felt. If local codes or specifications require a Class A fire rated assembly, Polystick XFR or Titanium FR (both products are distributed by TMP) must be installed over the entire roof with combustible decks.

Follow manufactures instructions carefully for all underlayment installation.

Drag Load Requirements

All panels must be pinned at one end to resist the drag load caused by snow loads, live loads, and the weight of the panel. Drag load is a function of roof slope, actual load and length of panels. Contact **Taylor Metal Products** for specific drag load requirements.

Ventilation/Insulation

It is the responsibility of the designer to determine the material types needed to control condensation and to insulate and ventilate the roof system. Applications over rigid insulation may require blocking for solid attachment and framing the perimeter for installation of perimeter flashings.

Oil Canning

Flat metal surfaces will display waviness commonly referred to as “oil canning.” Oil canning is caused by a variety of conditions. Steel mill tolerances, variations in or uneven substrates and roofing underlayments. Oil canning is a characteristic of metal roofing, not a defect and is not a cause for rejection. **Taylor Metal Products** offers **TMP T - Panel™** with striations or accent ribs to help minimize oil canning.

Thermal Movement

The Panels and the flashings must be allowed to expand and contract, especially with longer length panels. The panel may need to have a slight gap where the panel hooks the offset cleat to allow for thermal movement of the panels.

Snow Design

The following details do not address all conditions for snow environments. Consult with the designers, engineers, and others for acceptable details to accommodate your project and climate conditions. When possible gutters, valleys, pitch changes or other penetrations should be minimized in snow areas.

All roof penetrations should be located as close to the ridge or “pin point” top of roof. Snow country requires special designs for valleys to accommodate accumulation of snow and ice from uphill panels. Roof design should be considered in snow areas. Roof design should help resist the melting and freezing of snow and ice.

A fit for purpose roof design has the greatest impact on maintaining a damage free roof system in snow areas. Please contact a **Taylor Metal Products** representative for assistance in detail designs and appropriate panel selection for specific climate and building conditions.



Handling, Storage & Safety

Handle materials with care when off-loading or moving material to avoid damage to panels or flashings. Long panels may require two or more pick-up points, properly spaced to avoid damaging panels. Plan ahead; contact **Taylor Metal Products** for recommendations on handling/hoisting long panels.

Store the panels, flashings and accessories in a dry, well ventilated area, off the ground. If covering allow ventilation around panels. Elevate one end of bundle to allow drainage of wet materials.

Wear clean, soft-soled shoes when walking on roofing panels to avoid damage to the painted finish.

Take care that sand, gravel, dirt, etc. sticking to your shoes is not carried onto the roof, scratching or otherwise damaging the finish on the roofing material. Walking on asphalt impregnated felt paper, especially on a hot day, can cause the asphalt to stick to your shoes and be tracked on to the roofing material.

Take care when painting to avoid getting over spray on the roofing material. Remember that wind can carry paint particles some distance. Over spray can cause the finish of the roofing material to look dull and may void your warranty.

Secure materials, especially when leaving the site, on the ground or roof to prevent winds from moving the materials. Wind-blown materials may cause damage to the material, property or persons.

Always use proper safety equipment and attire to minimize risk of cuts or other injuries.

Do not walk on panels that have not been completely installed.

Do not walk on major ribs/battens of panels.

Metal roofs that are wet or dusty can be extremely slippery. Wear soft soled shoes and a safety harness to minimize risk of falling.

Avoid installing metal panels in windy conditions.

Safety considerations are the responsibility of the installer and his crew. Be sure to use common sense and generally accepted safety practices when installing roofing materials.

The following tools/safety equipment may be used for proper installation:

- Screw Gun: Clutch type, variable torque, cordless screw guns will give the best results.
 - » Extra batteries
 - » Bit holder - magnetic
 - » #2 square drive bits or philips drive bits (for panel screws)
 - » 1/4" Hex head - magnetic - bit driver (for woodfast flashing screws)
 - » 1/8" drill bit (for rivets & pre-drilling fastener holes)
 - » Belt & holster (keeps all the above tools safely on your hip)

Cutting Tools:

- Cutters/Offset (curved jaw) left & right (for precision cutting, long cuts)
- Snips (straight jaw) left & right (for short cuts & circular cuts)
- Electric Shears (aids in long panel rips)

CAUTION: POWER SAWS MAY CAUSE PANEL DAMAGE!

TMP recommends cutting panels and flashings with tin snips or shears.

We do NOT recommend the use of saw blades or abrasive wheels - use may void warranties and reduce longevity, especially in marine environments.

WARNING : Filings, debris and metal chips must be wiped off panels each day to avoid corroding the panels and causing rust specks or stains. Water can cause non-finished metal shaving to bind to panels after rust develops damaging panels. Failure to properly install panels and remove debris may void warranties.

Other Tools:

- DeBurring Tool
- Hole Punch (for pre-punching holes in metal)
- Rubber Mallet - SoftType (for adjusting panels & flashings)
- Quick Square, Framing Square & Bevel Square (aids in squaring flashings & panels)
- Duck Bill Vise Grips/Pliers (for various bending)
- Upender Tools (used for panel-prep, available at TMP)
- Tape Measures - 16' for most work - larger sizes for larger surface & panel measurements
- Rivet Tool (for riveting flashings)
- Marking pen or grease pencil
- Chalk Line (for marking long panel rips and to align panels)
- Protective gloves to protect hands
- Cotton gloves for working with copper (to protect against fingerprints on finish)
- Ear plugs
- Safety harness kit



Roof Layout - Radius Application

Sub-Structure and Underlayment

TMP recommends installing the T-Panel over 15/32" (1/2" nominal) or thicker exterior grade plywood.

We recommend synthetic underlayment in the field of the roof. We also suggest installing "Ice and Water Shield" underlayment in all valleys, eaves, sidewalls and at all penetrations. Also, use 100% "Ice and Water Shield" for low slope (<3:12 pitch) applications or in snow country.

Contact your TMP technical or sales representative for other installation questions.

Measuring the Roof

As with all metal roofing applications, accurate measurements of the roof are critical. Figures A and B show which dimensions are needed to accurately calculate material for the roof area(s).

Figure A shows a front (or end) view, and figure B shows a side view.

Taylor Metal Products has estimating services available for the convenience of our customers. If you would like Taylor Metal Products to calculate the materials and provide you with a quote, we will need specific dimensions to accurately calculate the materials.

Figure A
End View

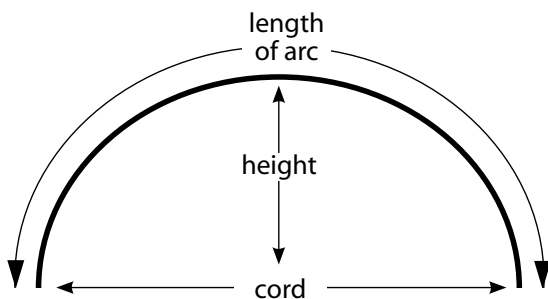
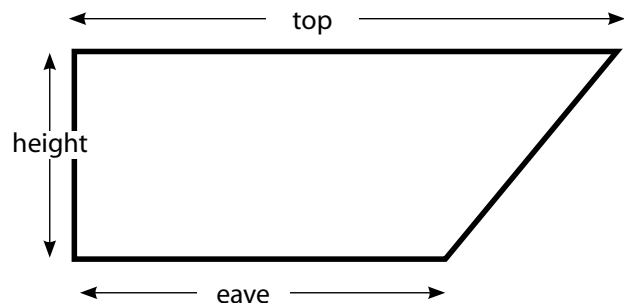


Figure B
Side View



Panel Installation - Narrow Batten

Install any eave flashing, support flashing, valley flashing, and offset (joggle) cleat in this order before installing the T Panels. Radius applications will require segmenting (shorter lengths) the flashing to properly blend over the curve (valley, support flashing and gable trim). Curved or Radius gable or sidewall flashing is required for tighter radius application. See installation drawings for Pittsburgh lock flashing options.

Position the first panel, beginning on the gable end and working toward the valley, sidewall, or opposing gable end. Be sure the panel is placed square and both panel legs are laying flat on the roof deck.

Position the clip against the panel leg with the tab of the clipbase of the clip away from the panel. The clip should sit flush against the panel leg. Set the next panel against the clip and bend down the tab of the clip over the leg of the panel and fasten the clip to the roof deck with (2) pan/wafer head screws of sufficient length to penetrate the sheathing (min. 1/4").

Install a clip every 16 to 18 inches (or less for high wind applications) and repeat the procedure as described above. Repeat the process for the remaining panels.

When you come to the last panel, the panel may need to be cut to width and upended to match the other legs. If the deck is curved to a radius, carefully form the panel edge to follow the radius of the roof.

If sealant is desired in the joint, add gunnable sealant to the inside of the narrow batten, and snap the cap over the clips and legs of the panel. Repeat with all panels except the end panel. Be sure to fully engage the batten over the clips.

Install gable trim, peak flashing, sidewall, endwall flashing and pipe or penetration flashing.

Curved or Radius Panel

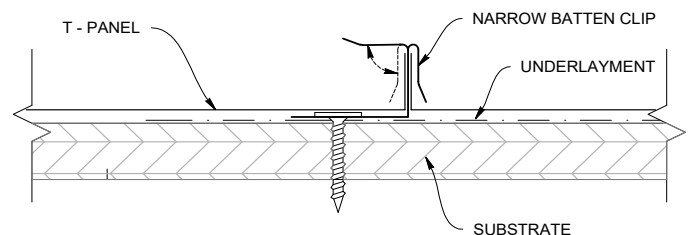
Flashing for curved roofing panels is not unlike the flashing detail for sloped flat roofs, except that the gable/rake, sidewall, and valley flashings need to be formed to follow the roof.

Taylor Metal Products can custom fabricate curved flashings to fit the radius roof deck.

Valley flashings present some challenges for the installer. The typical W-valley flashing cannot be formed to fit the curvature of the valley. We have found that it works well to use wide flat sheet(s) and form them into the valleys, and then if a W-valley is desired it can be segmented in shorter lengths to blend over the curved surface.

Other types of flashing details are similar in application to standing seam type panels and should present no challenges to the experienced installer.

Please contact our sales department with any questions regarding installation.



Panel Installation - Wide Batten System

Install any eave flashing, support flashing, valley flashing, and offset (joggle) cleat in this order before installing the T Panels.

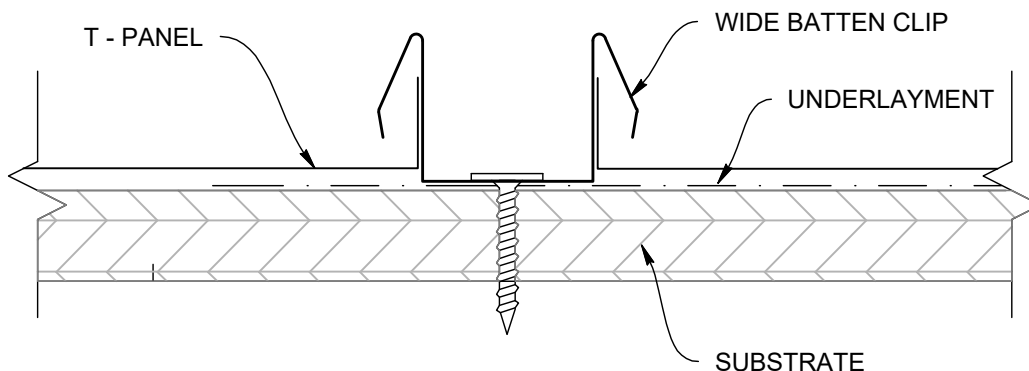
Position the first panel, beginning on the gable end and working toward the valley, sidewall, or opposing gable end. Be sure the panel is placed square and both panel legs are laying flat on the roof deck.

Position the clip over the panel leg. Be sure the clip is placed snug and square against the panel leg (gaps will make batten cap installation difficult and will affect the appearance). Fasten the clip to the roof deck with (2) pan/wafer head screws of sufficient length to penetrate the sheathing (min. 1/4").

Install a clip every 16 to 18 inches (or less for high wind applications) and repeat the procedure as described above.

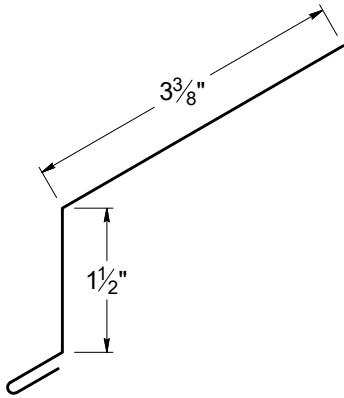
Roll in the next panel under the downleg of the clips. Repeat with all panels except the end panel. Be sure to fully engage the wide batten cap over the clips.

Install gable trim, peak flashing, sidewall, endwall flashing, and pipe or penetration flashing.

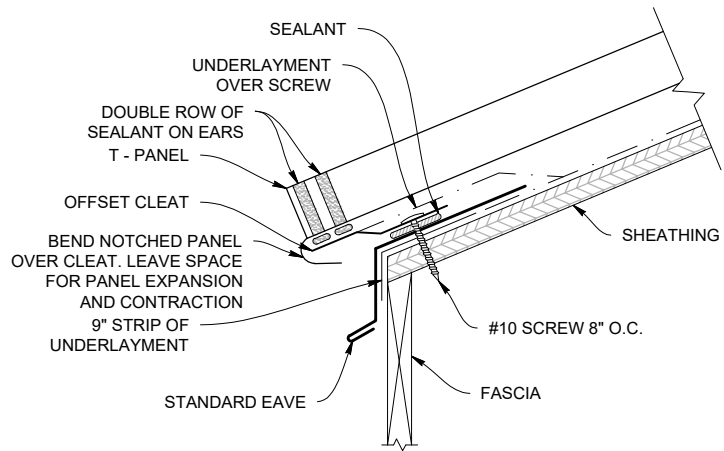


Standard Eave Narrow Batten

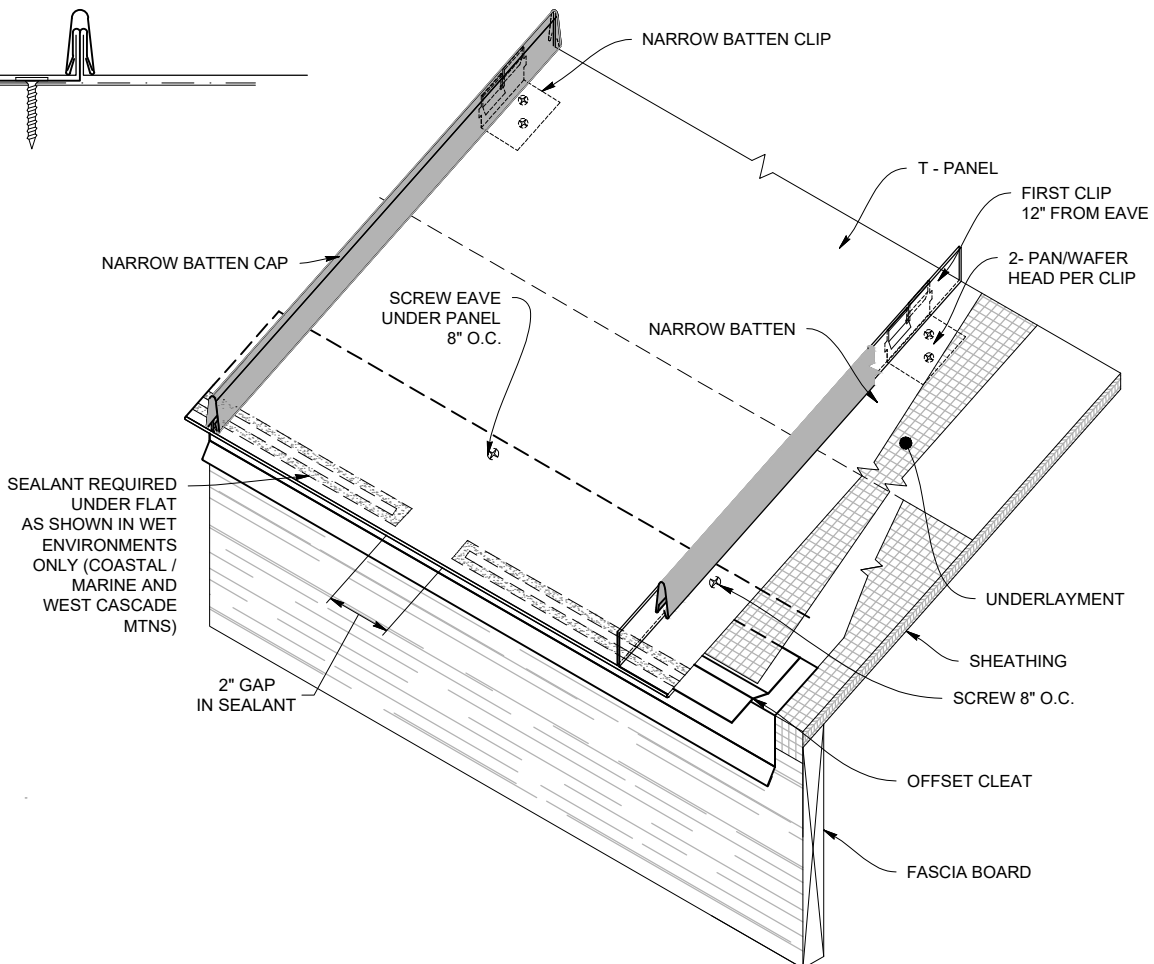
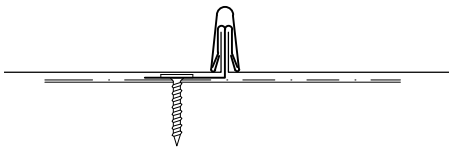
STANDARD EAVE



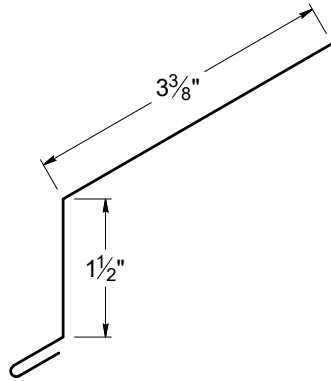
STANDARD EAVE DETAIL



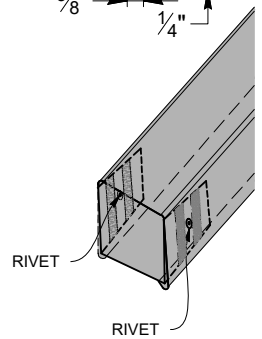
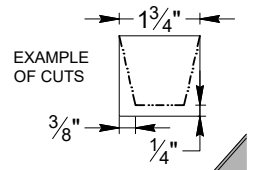
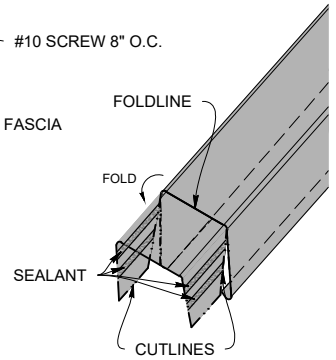
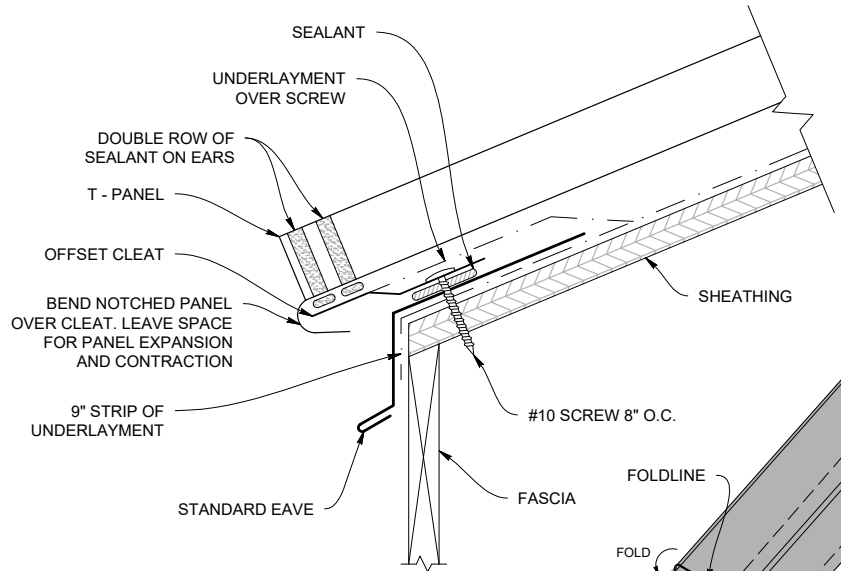
NARROW BATTEN PROFILE



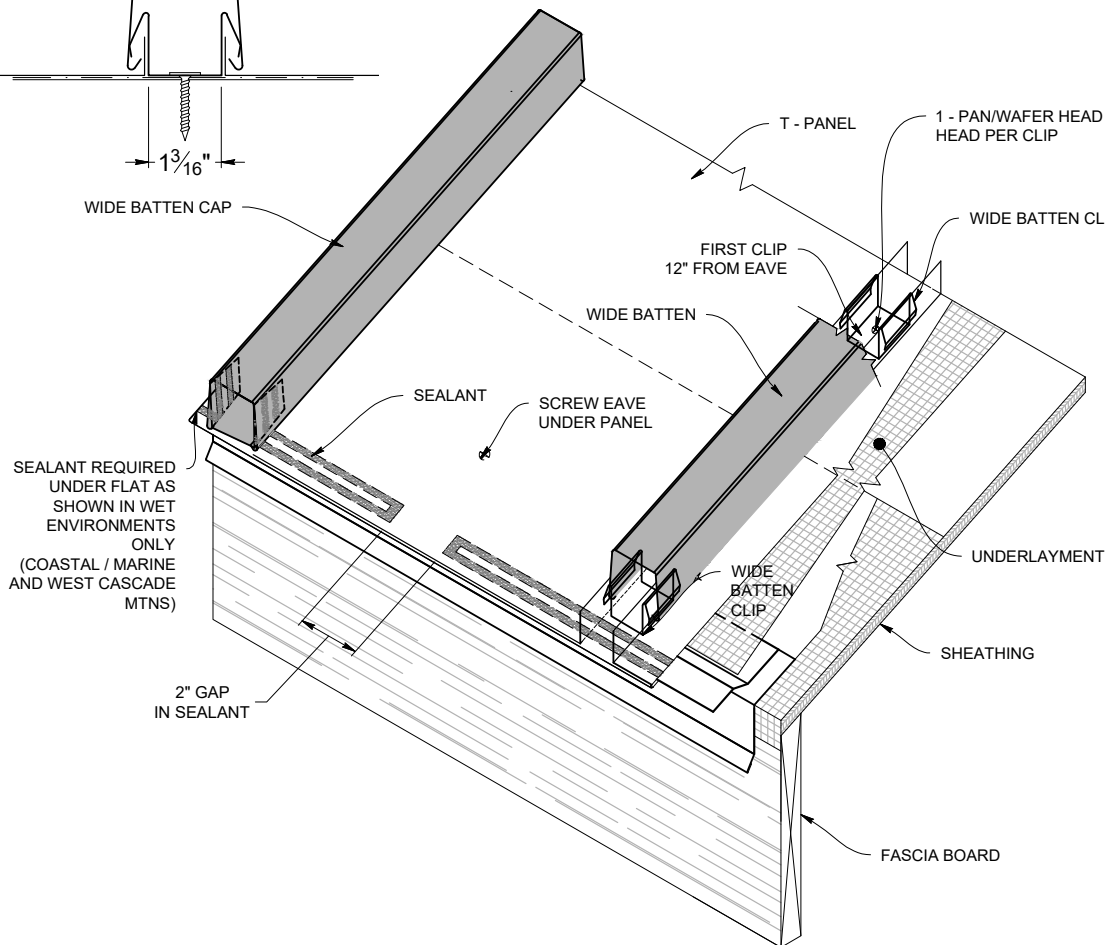
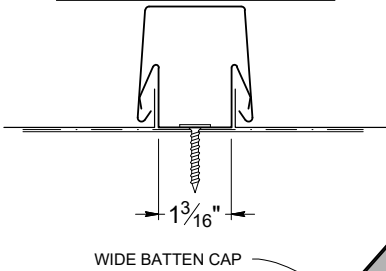
STANDARD EAVE



STANDARD EAVE DETAIL



WIDE BATTEN PROFILE

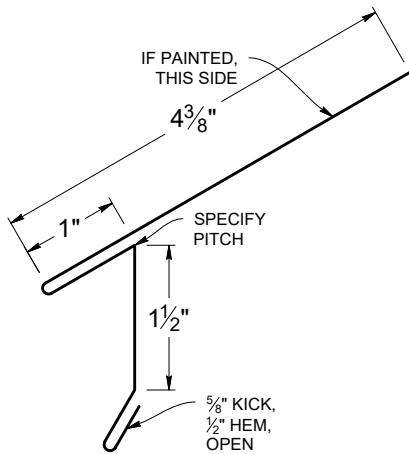


SEALANT REQUIRED UNDER FLAT AS SHOWN IN WET ENVIRONMENTS ONLY (COASTAL / MARINE AND WEST CASCADE MTNS)

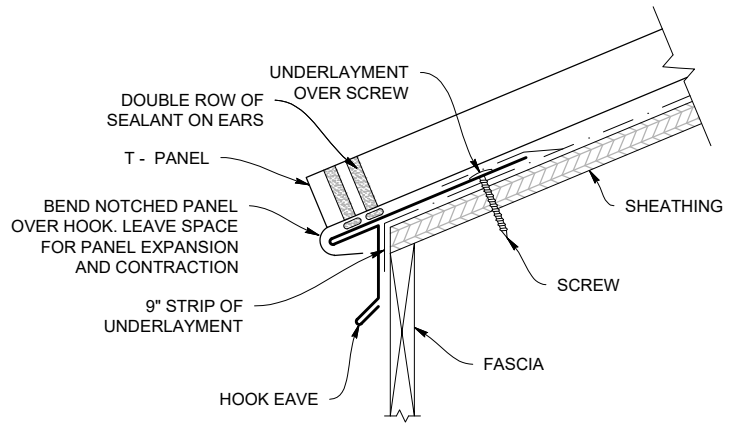
TRIM WIDE BATTEN CAP AS SHOWN ABOVE, AND APPLY SEALANT AS SHOWN. BEND WINGS IN SLIGHTLY THEN BEND THE ENTIRE END INSIDE THE WIDE BATTEN TO COVER THE END, FORMING A BOX. RIVET EACH SIDE INTO PLACE.

Hook Eave Narrow Batten

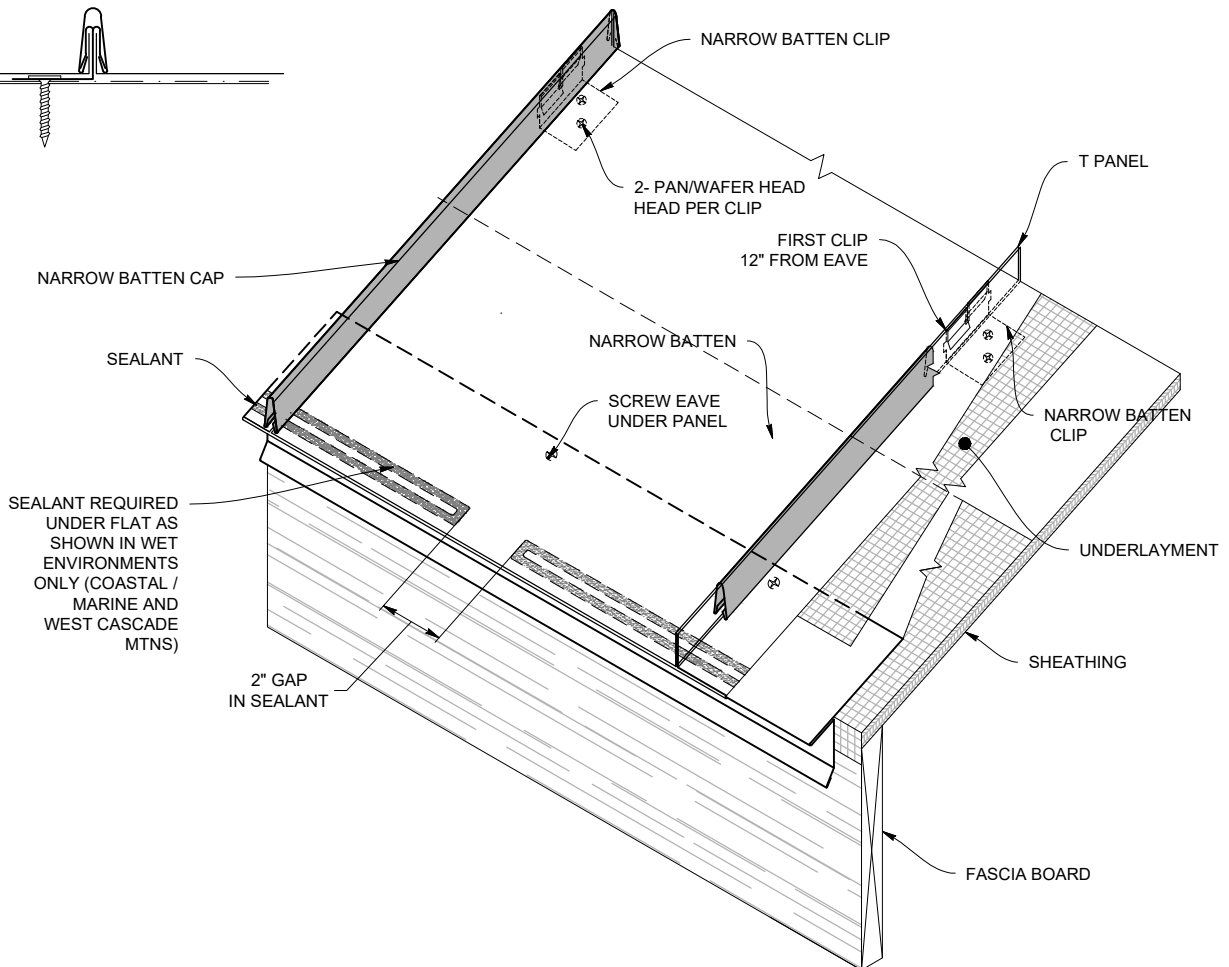
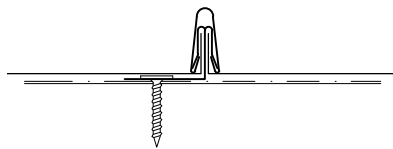
HOOK EAVE



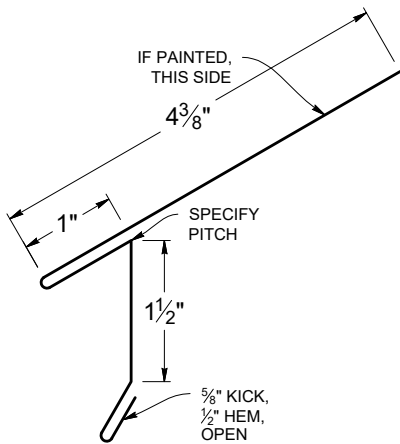
HOOK EAVE DETAIL



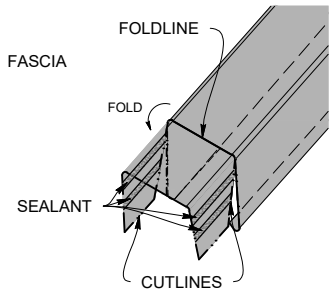
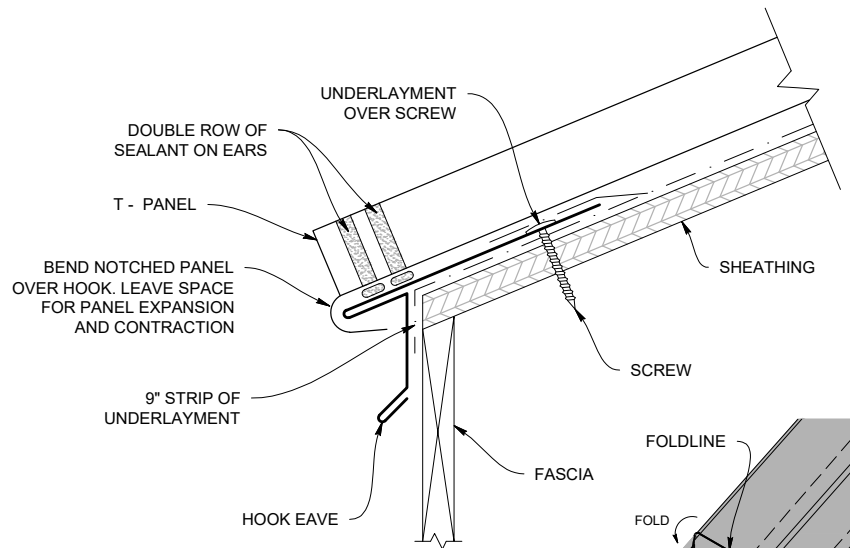
NARROW BATTEN PROFILE



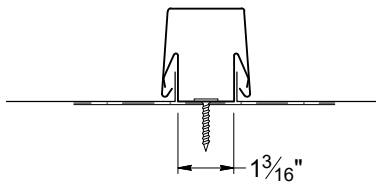
HOOK EAVE



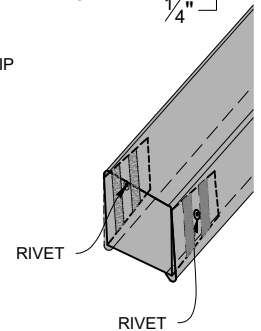
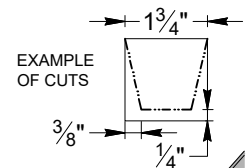
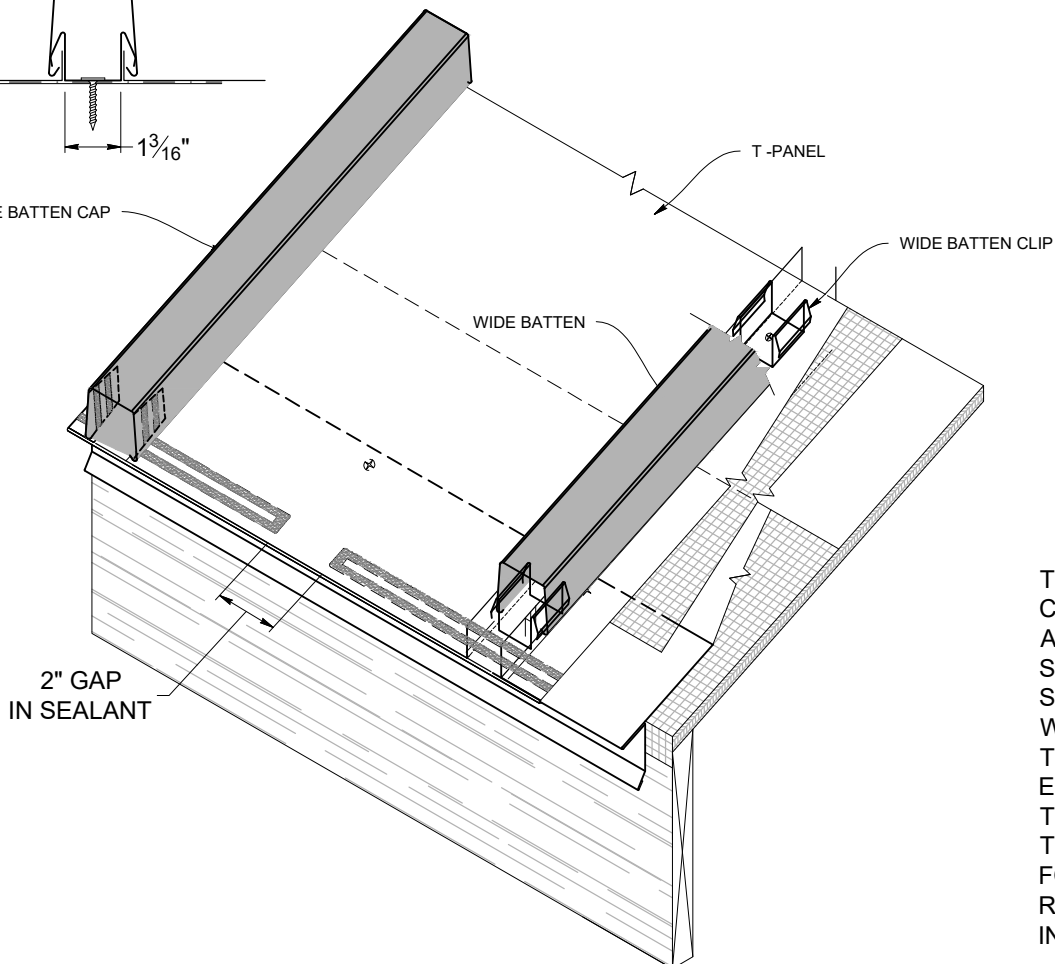
HOOK EAVE DETAIL



WIDE BATTEN PROFILE



WIDE BATTEN CAP

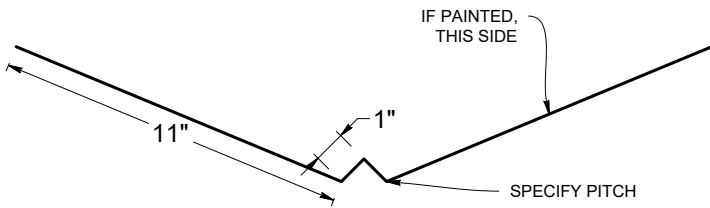


TRIM WIDE BATTEN CAP AS SHOWN ABOVE, AND APPLY SEALANT AS SHOWN. BEND WINGS IN SLIGHTLY THEN BEND THE ENTIRE END INSIDE THE WIDE BATTEN TO COVER THE END, FORMING A BOX. RIVET EACH SIDE INTO PLACE.

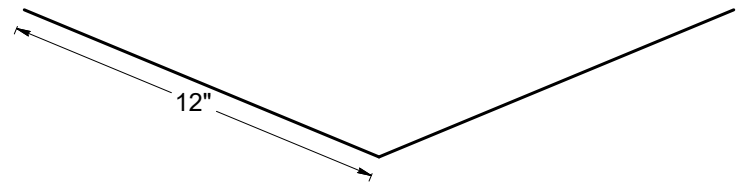
Valley Flashing

3:12 or Greater

VALLEY 24" FLASHING

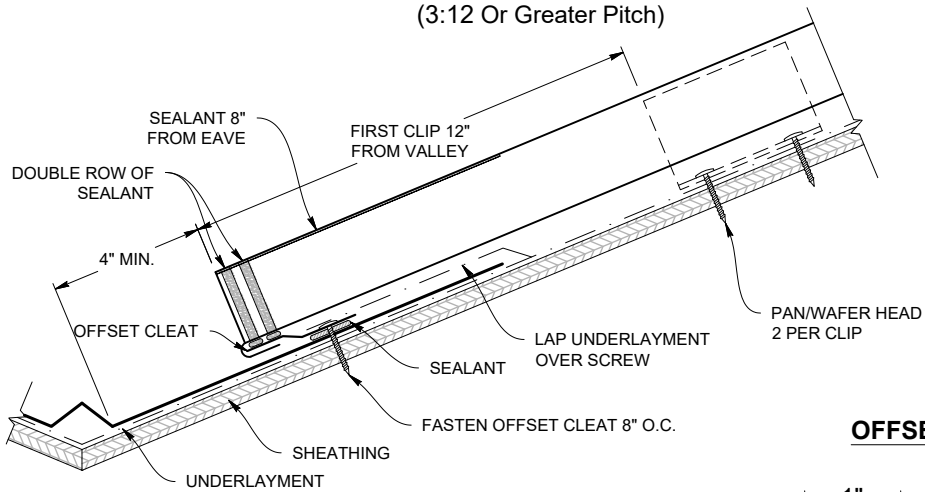


ALTERNATIVE VALLEY 24" FLASHING

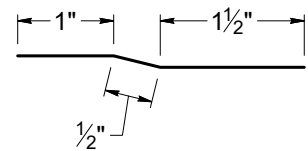


NOTE: TIGHT RADIUS VALLEYS WILL REQUIRE SHORTER PIECES TO BLEND OVER DECK. THE MIDDLE "V" MAY HAVE TO BE REMOVED

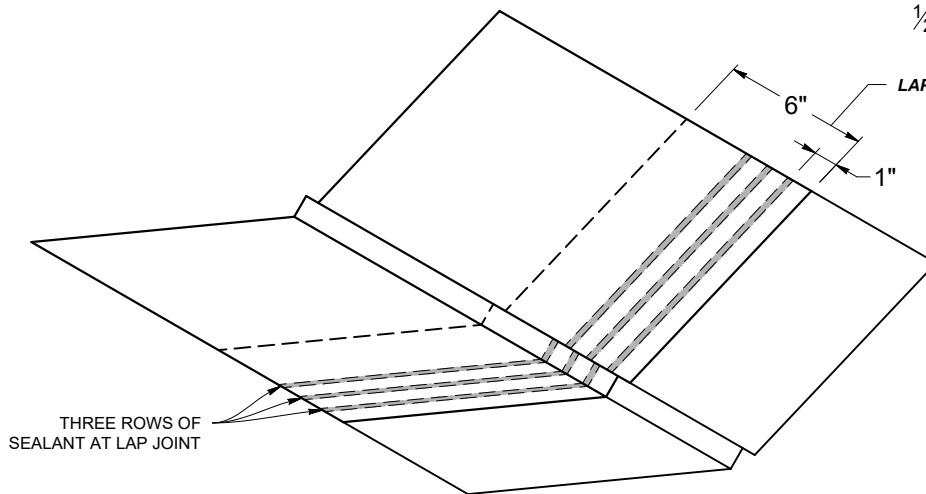
VALLEY 24" DETAIL (3:12 Or Greater Pitch)



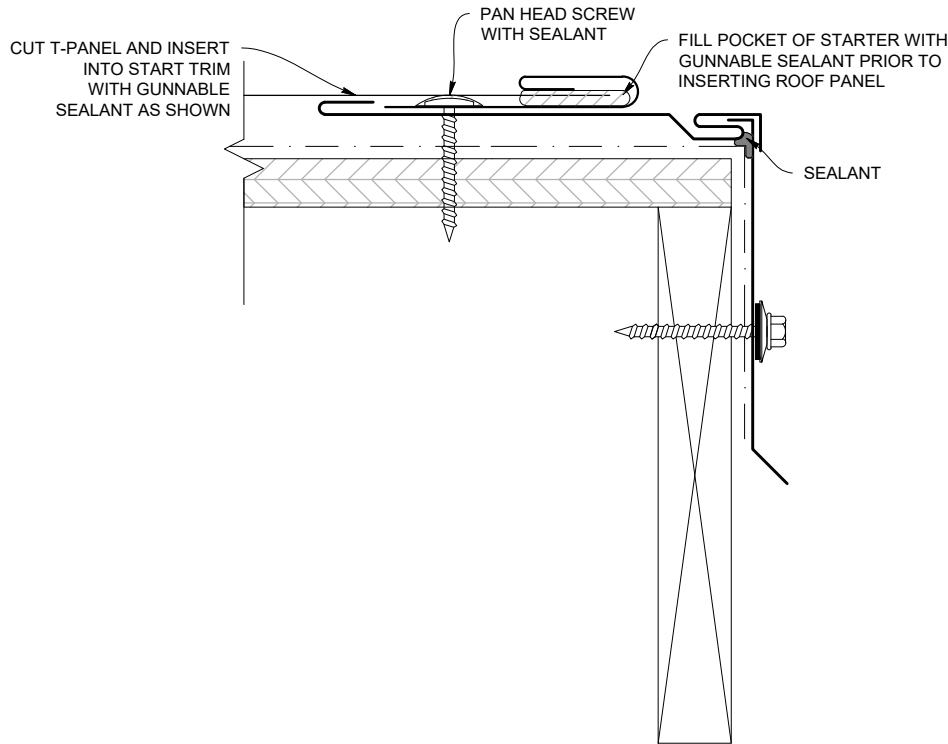
OFFSET CLEAT



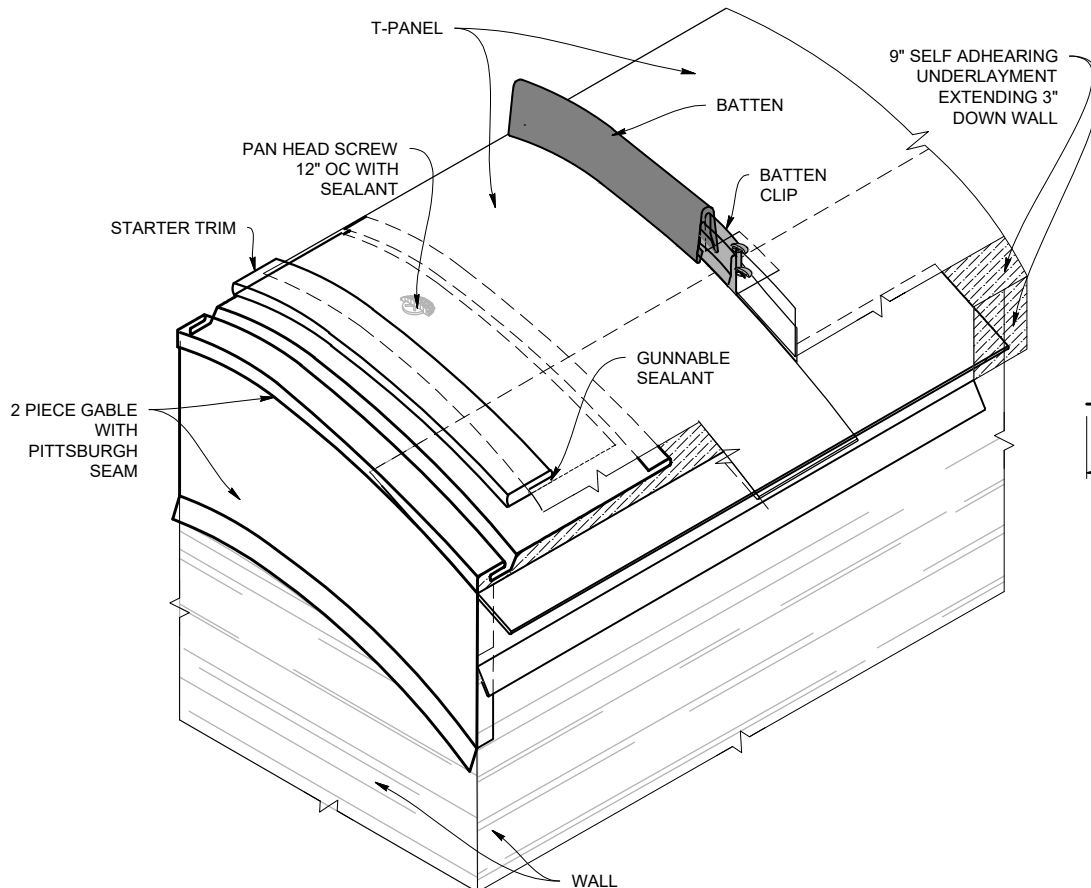
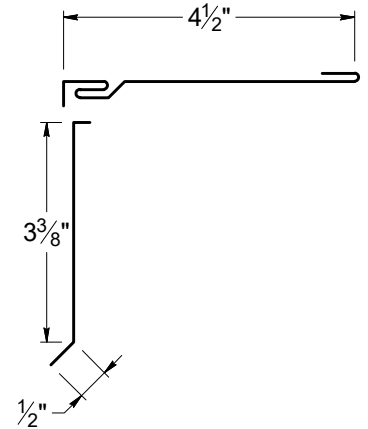
VALLEY LAP (3:12 Or Greater Pitch)



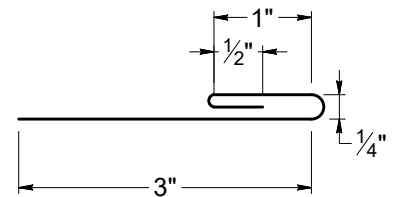
RADIUS GABLE DETAIL



2 PIECE GABLE WITH PITTSBURGH SEAM



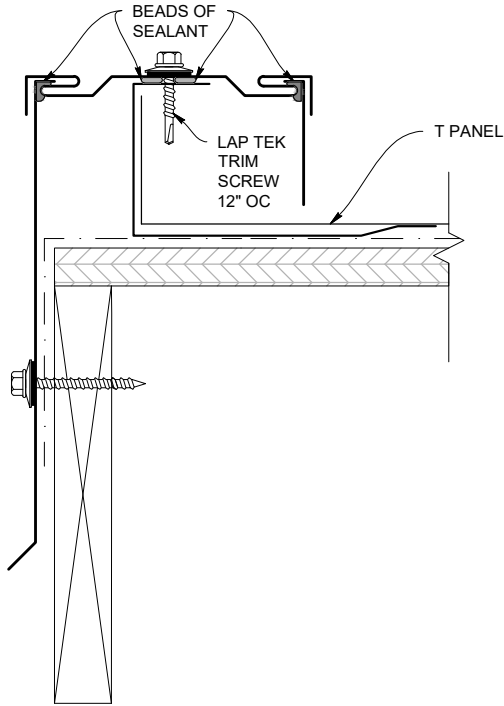
STARTER TRIM



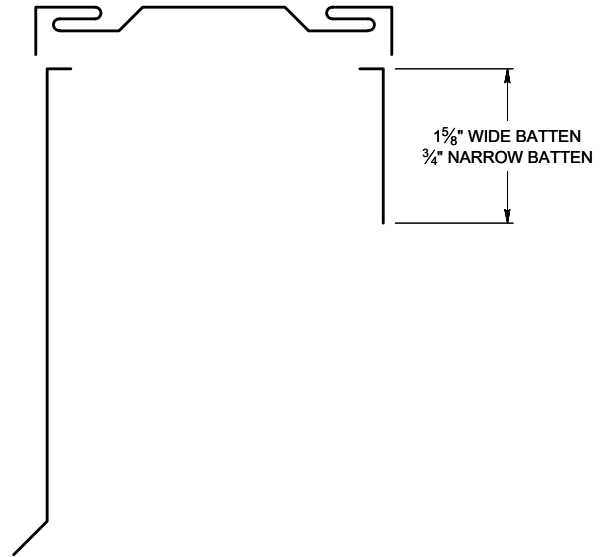
Radius Gable

Option 2

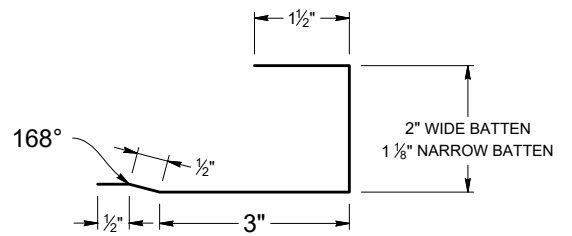
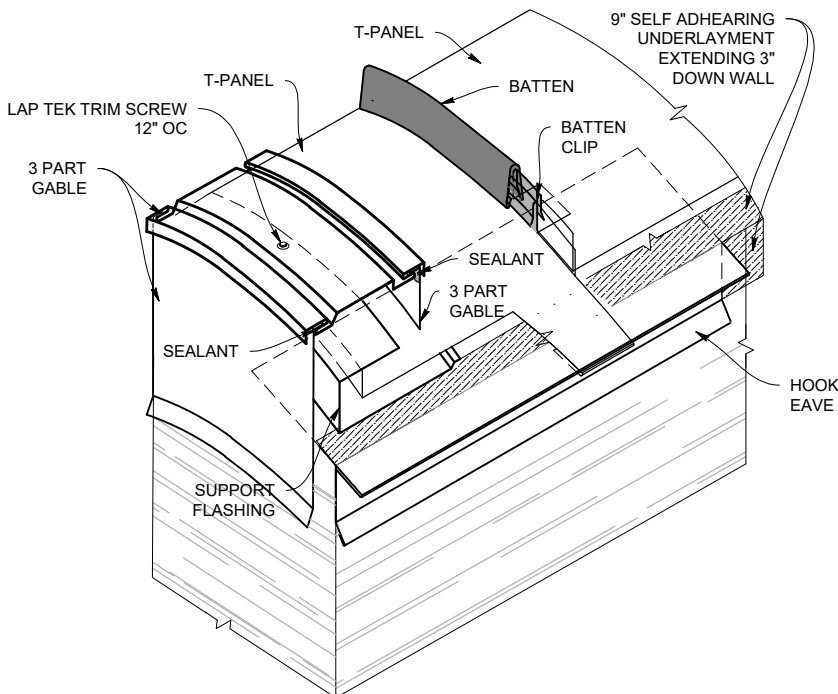
RADIUS GABLE DETAIL

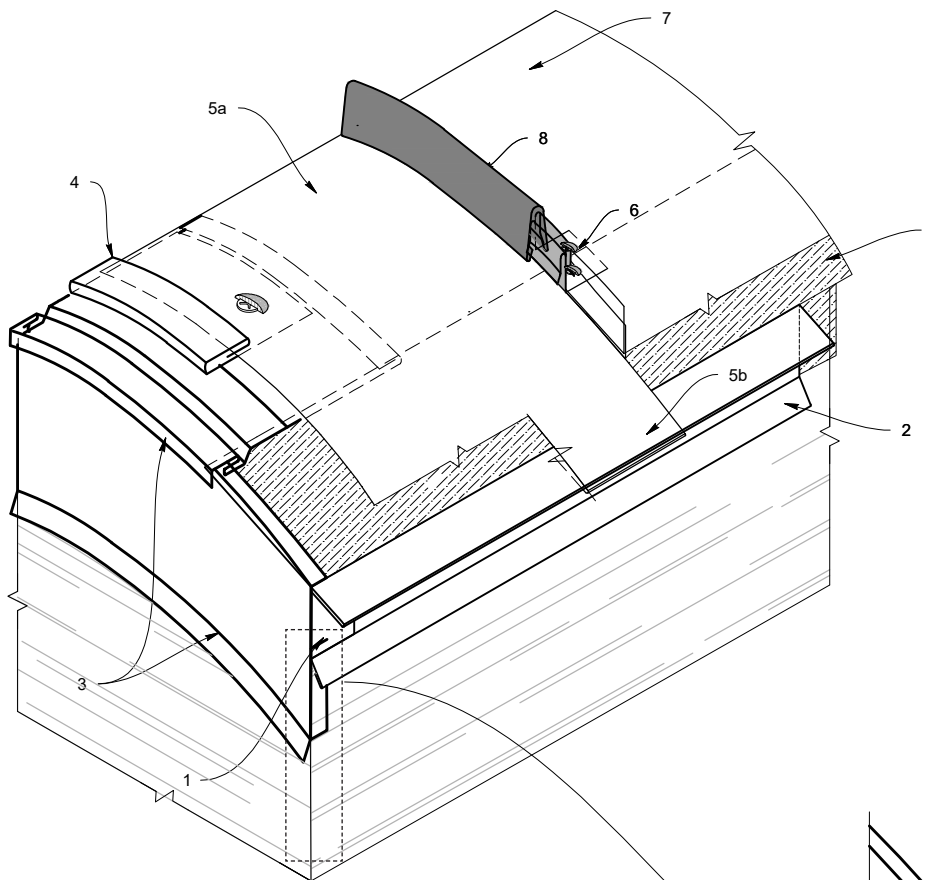


3 PART ALTERNATE GABLE



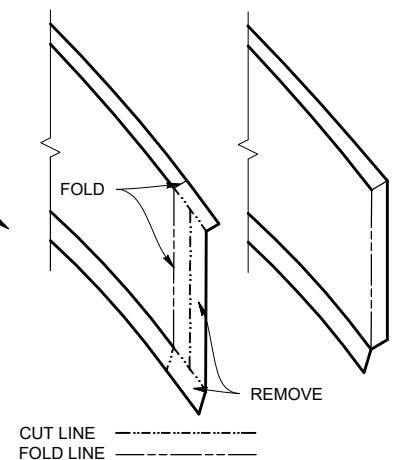
SUPPORT FLASHING



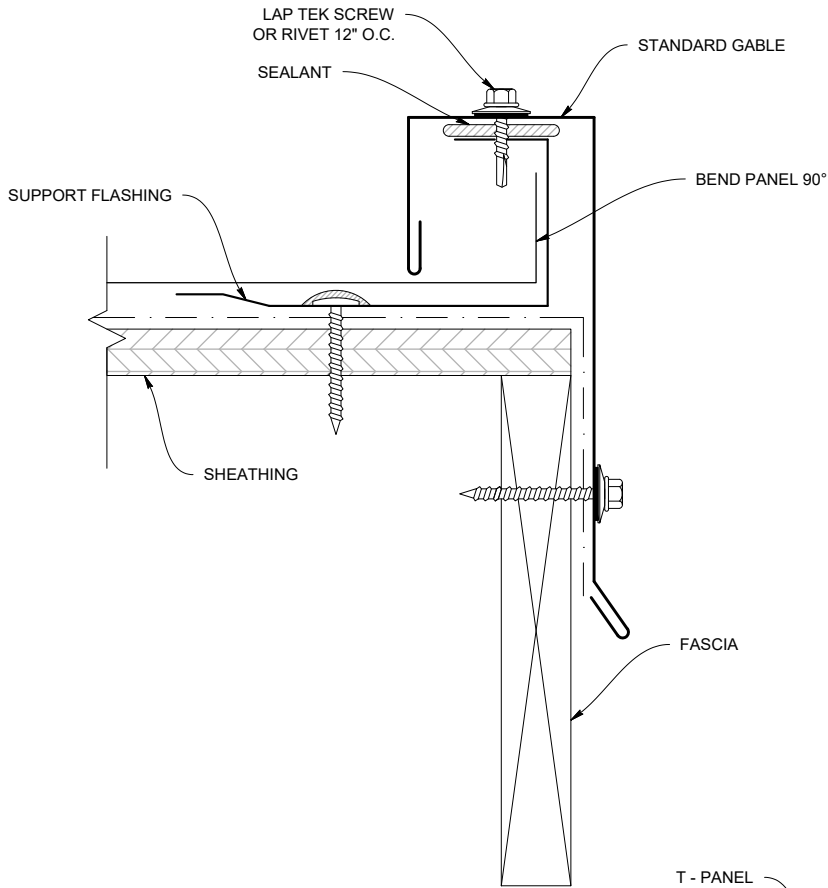


Installation Order

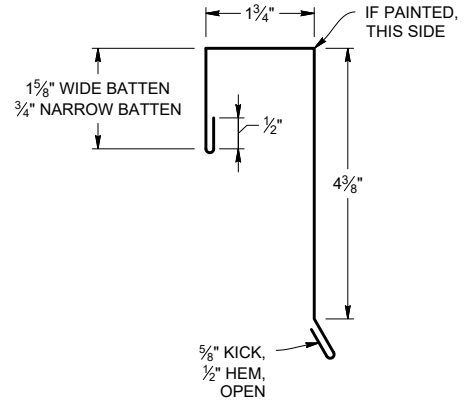
1. 9" self adhearing underlayment laid on roof and extended 3" down sides.
2. Hook eave flashing. Secure with screws every 12" OC.
3. 2 part gable flashing with Pittsburgh seam. Trim lower leg as shown and bend as shown. Apply sealant as shown on page 23.
4. Install starter trim. Apply sealant as shown on page 23. Secure every 12" OC with pan head screws covered in sealant.
5. a. Seal first panel (cut leg) to starter with sealant. b. Panel should extend 1" past edge of hook eave and be folded around the eave.
6. Install batten clips and screws.
7. Install next panel, folding edge around hook eave and bend wings of the clips to secure panels in place.
8. Install batten.
9. Repeat steps 4 - 8 to other side and complete with either a gable or endwall, as needed.



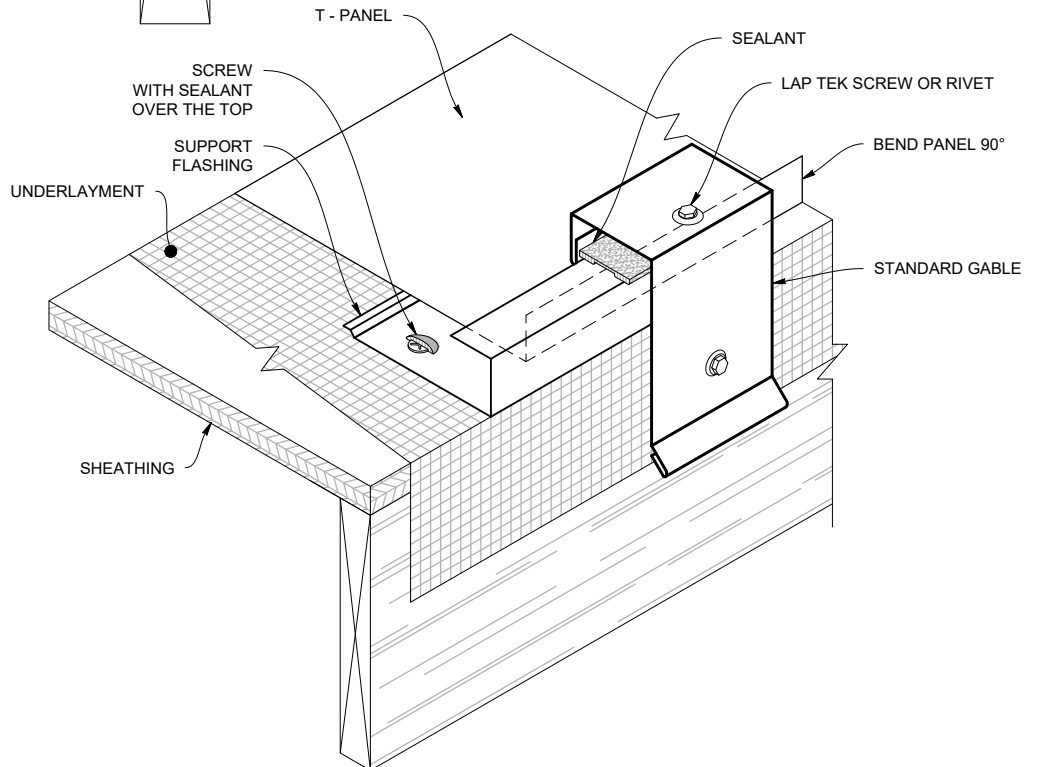
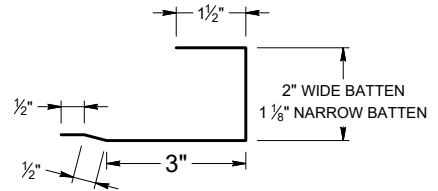
STANDARD GABLE DETAIL



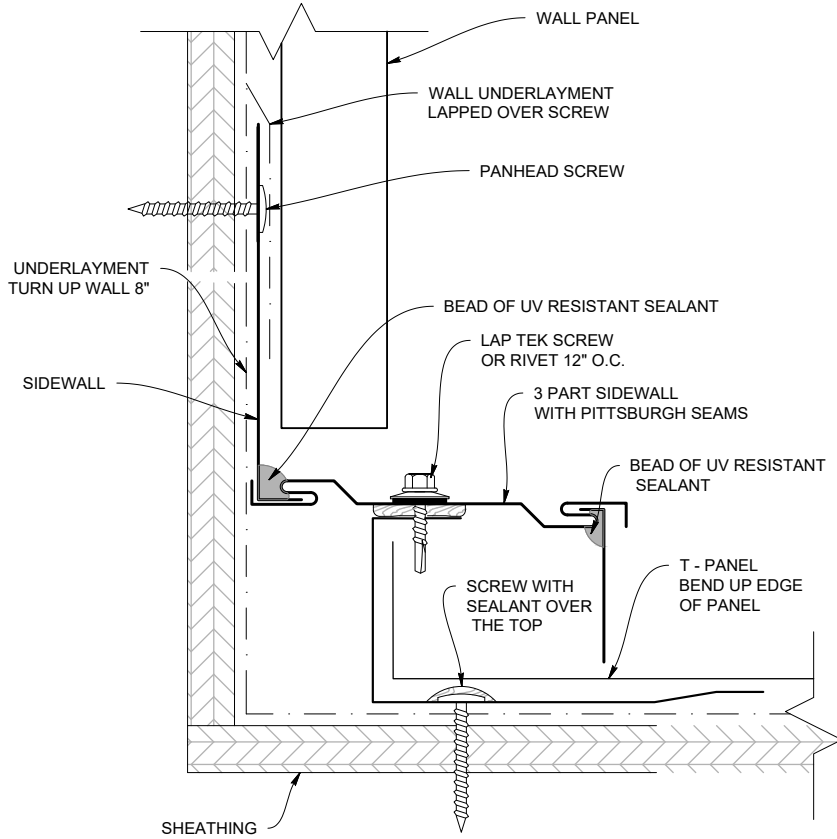
STANDARD GABLE



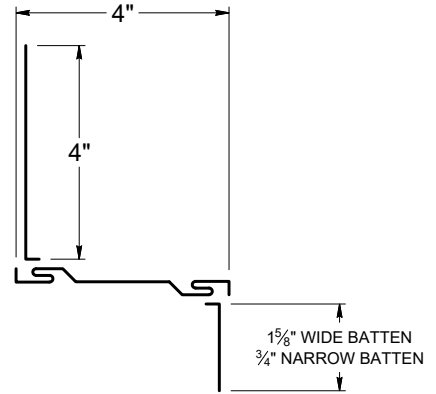
SUPPORT FLASHING



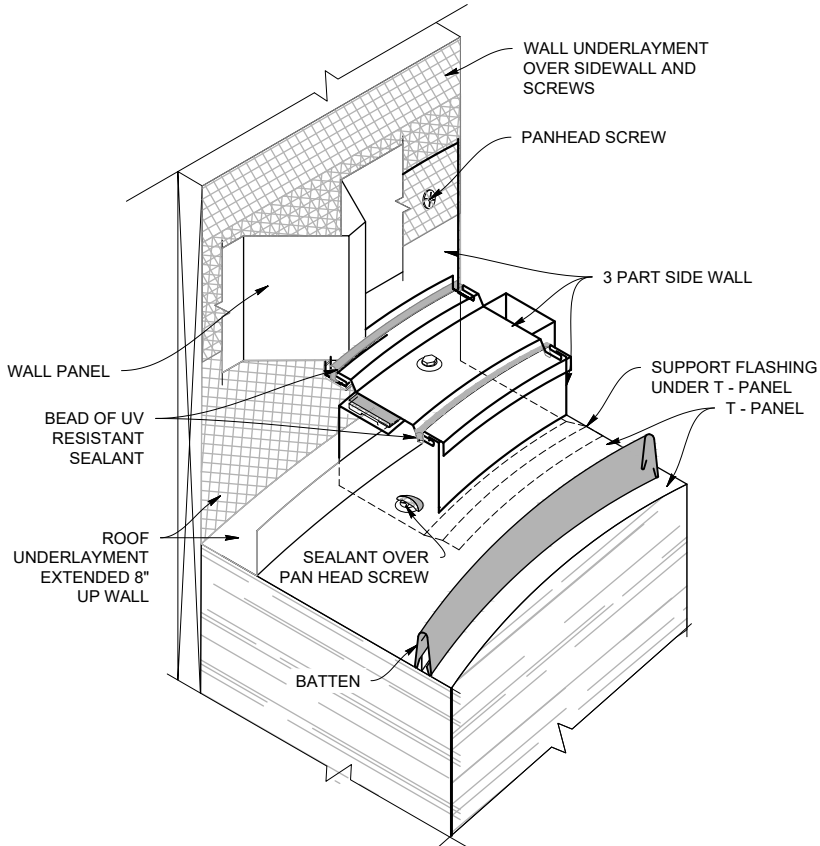
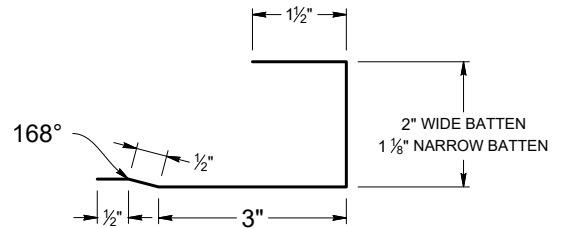
SIDEWALL DETAIL



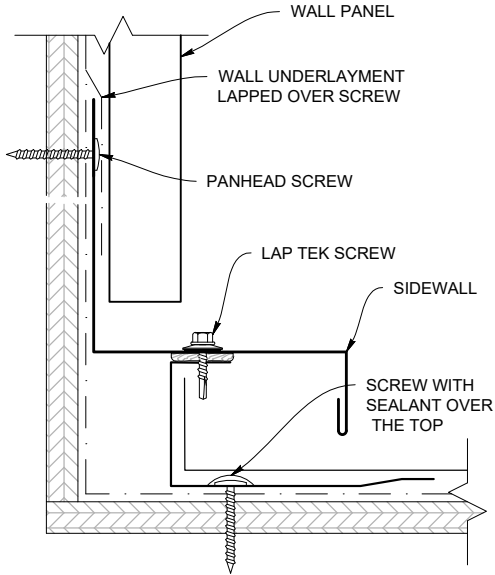
3 PART SIDEWALL WITH PITTSBURGH SEAMS



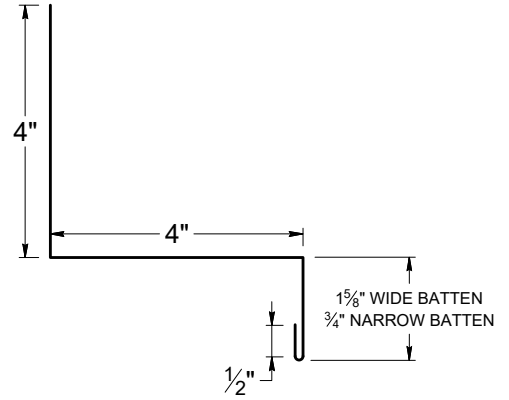
SUPPORT FLASHING



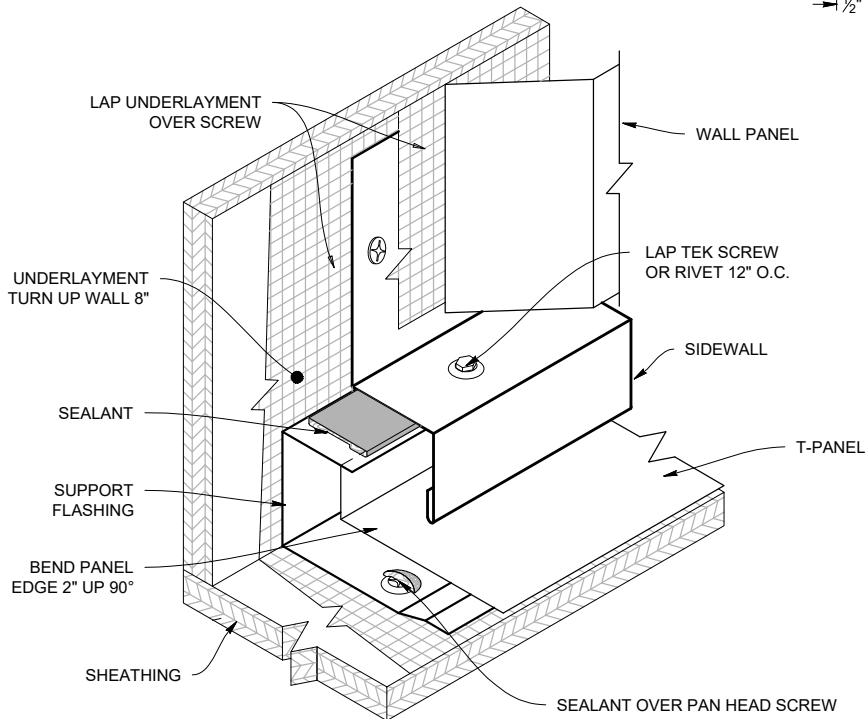
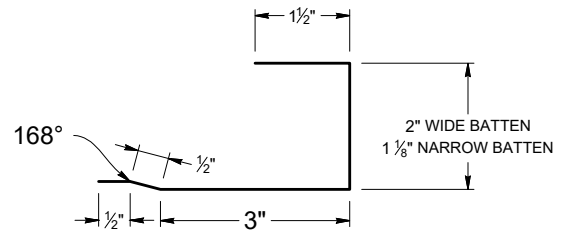
SIDEWALL DETAILS



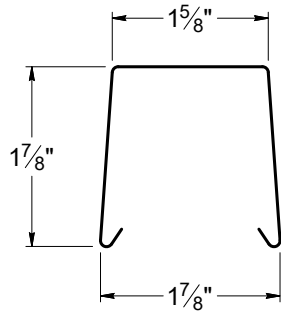
SIDEWALL



SUPPORT FLASHING

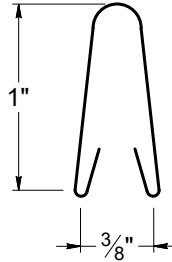


WIDE BATTEN
()



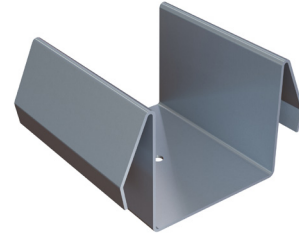
SCALE 1:2 S.O. 5.57" WEIGHT: 6.6 LBS

NARROW BATTEN
()



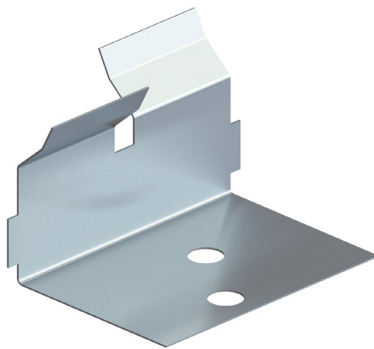
SCALE 1:1 S.O. 2.55" WEIGHT: 6.6 LBS

WIDE BATTEN CLIP
()



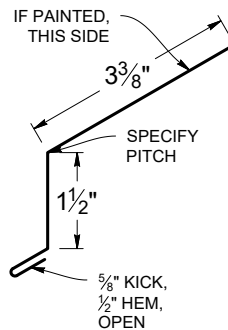
SCALE 1:3 S.O. 5.25" WEIGHT: 4.3 LBS

NARROW BATTEN CLIP
()



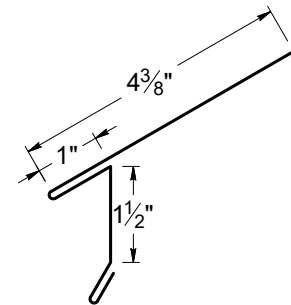
SCALE 1:3 S.O. 16" WEIGHT: 13.1 LBS

STANDARD EAVE
()



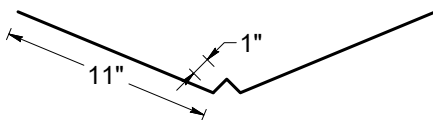
SCALE 1:3 S.O. 13.5" WEIGHT: 10.9 LBS

HOOK EAVE
()



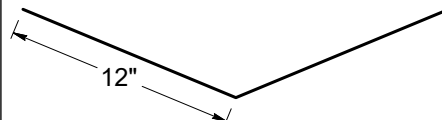
SCALE 1:3 S.O. 6" WEIGHT: 4.5 LBS

VALLEY FLASHING
()



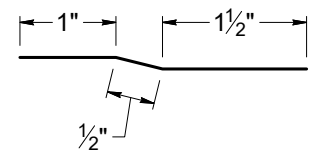
SCALE 1:3 S.O. 24" WEIGHT: 4.5 LBS

ALTERNATIVE VALLEY FLASHING
()



SCALE 1:3 S.O. 24" WEIGHT: 4.5 LBS

OFFSET CLEAT
()



SCALE 1:3 S.O. 2" WEIGHT: 4.5 LBS

T-Panel™ Flashings

Flashing: 10' Standard



<p>STANDARD GABLE ()</p> <p>1 1/4" IF PAINTED, THIS SIDE 1 5/8" WIDE BATTEN 1/4" NARROW BATTEN 1/2" 4 3/8" 5/8" KICK, 1/2" HEM, 1/2" OPEN</p> <p>SCALE 1:3 S.O. 8.5"/9" WEIGHT: 7.6 LBS.</p>	<p>2 PART GABLE (For Curved) ()</p> <p>4 1/2" 3 3/8" 1/2"</p> <p>SCALE 1:3 S.O. WEIGHT: 7 LBS.</p>	<p>3 PART GABLE (For Curved) ()</p> <p>1 5/8" WIDE BATTEN 3/4" NARROW BATTEN</p> <p>SCALE 1:3 S.O. WEIGHT: 7 LBS.</p>
<p>STARTER METAL ()</p> <p>1" 1/2" 3" 1/4"</p> <p>SCALE 1:3 S.O. 3.75" WEIGHT: 6 LBS.</p>	<p>SIDEWALL ()</p> <p>4" 4" 1/2" 1 5/8" WIDE BATTEN 3/4" NARROW BATTEN</p> <p>SCALE 1:2 S.O. 6" WEIGHT: 4.9 LBS.</p>	<p>3 PART SIDEWALL (For Curved) ()</p> <p>4" 4" 1 5/8" WIDE BATTEN 3/4" NARROW BATTEN</p> <p>SCALE 1:2 S.O. 8" WEIGHT: 6.5 LBS.</p>
<p>SUPPORT FLASHING ()</p> <p>1 1/2" 1/2" 2" WIDE BATTEN 1 1/8" NARROW BATTEN 3" 1/2"</p> <p>SCALE 1:4 S.O. 6.125"/6.625" WEIGHT: 6 LBS.</p>	<p>ZEE CLOSURE ()</p> <p>1" IF PAINTED, THIS SIDE 1 7/8" WIDE BATTEN 1" NARROW BATTEN 1"</p> <p>SCALE 1:2 S.O. 3 3/8" - 2 7/8" WEIGHT: 9.8 LBS.</p>	

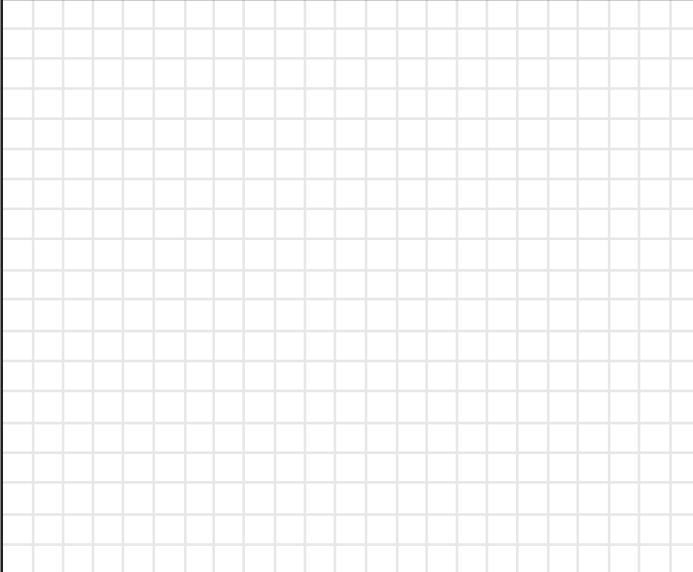
Custom Trim Order

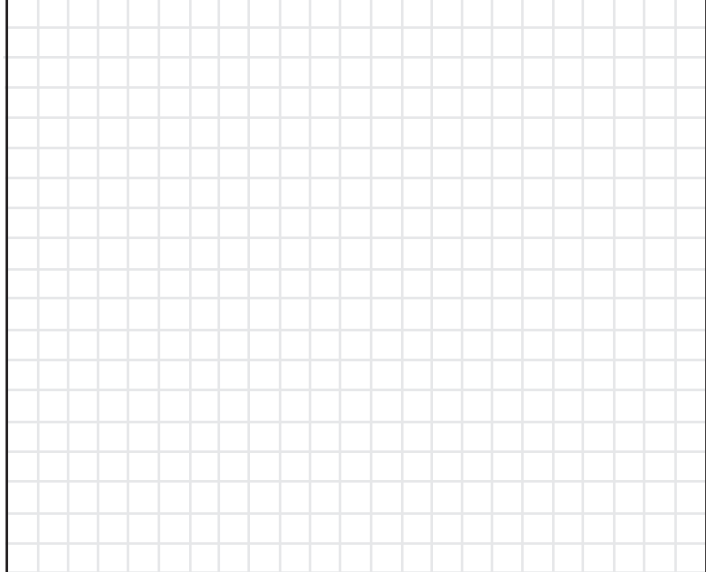


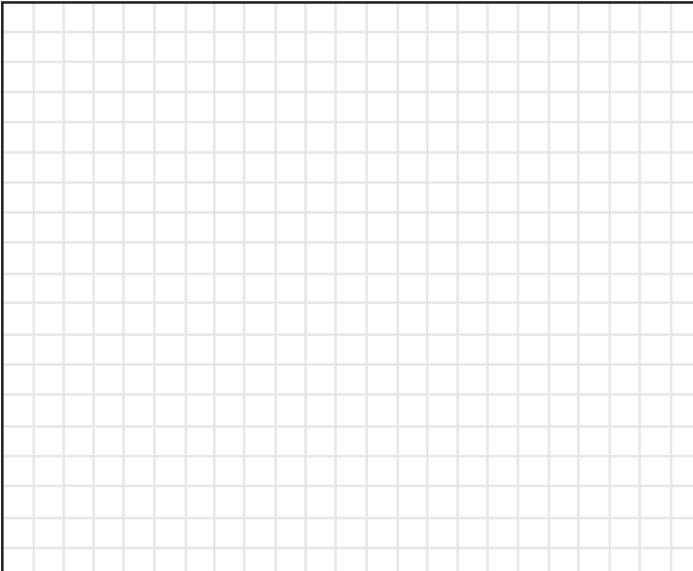
Customer Name: _____

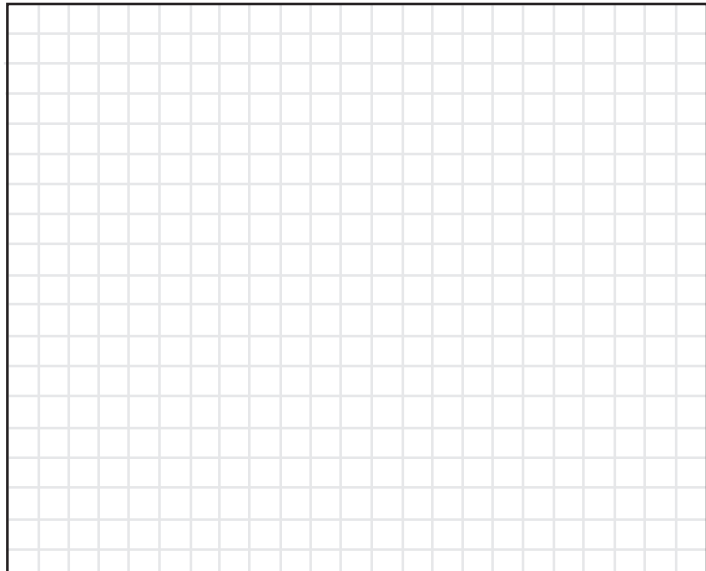
Job Name: _____

Gauge: _____ Color: _____


Drawing #: _____ Pitch: _____ # of Pieces: _____
Description: _____
Hems: <input type="checkbox"/> Open <input type="checkbox"/> Closed <input type="checkbox"/> Slightly Open


Drawing #: _____ Pitch: _____ # of Pieces: _____
Description: _____
Hems: <input type="checkbox"/> Open <input type="checkbox"/> Closed <input type="checkbox"/> Slightly Open


Drawing #: _____ Pitch: _____ # of Pieces: _____
Description: _____
Hems: <input type="checkbox"/> Open <input type="checkbox"/> Closed <input type="checkbox"/> Slightly Open


Drawing #: _____ Pitch: _____ # of Pieces: _____
Description: _____
Hems: <input type="checkbox"/> Open <input type="checkbox"/> Closed <input type="checkbox"/> Slightly Open

Please provide a drawing for each flashing with precise measurements and angles
Fax to: 503-581-6877



TAYLOR

METAL PRODUCTS

QUALITY PRODUCTS
EXCEPTIONAL SERVICE

SALEM BRANCH

4566 Ridge Dr. NE
Salem, OR 97301

Office: 503-581-8338
Toll Free: 1-800-574-1388
Fax: 503-581-6877

SACRAMENTO BRANCH

3443 Airport Rd,
Sacramento, CA 95834

Office: 916-318-8844
Toll Free: 1-800-574-1388
Fax: 916-993-4123

SPOKANE BRANCH

1010 N Nelson St.,
Spokane, WA 99202
www.go-rsp.com

Office: 509-535-8667
Toll Free: 800-238-4057
Fax: 509-535-8682

AUBURN BRANCH

2601 C St SW,
Auburn, WA 98001

Office: 206-900-9923
Toll Free: 1-800-574-1388
Fax: 253-804-3545

RIVERSIDE BRANCH

4880 Felspar St.
Riverside, CA 92509

Office: 323-407-7457
Toll Free: 1-877-504-1594